

TBB POWER RACK



IP65

For installation of TBB Lithium Batteries, including LS50, LS75 and ES100



Standard Usage of Power Rack

To install battery module only



Power Rack Cabinet

Support two stack installation



4xES100
420Ah-20.16kWh

①



6xLS50
300Ah, 14.4kWh

②

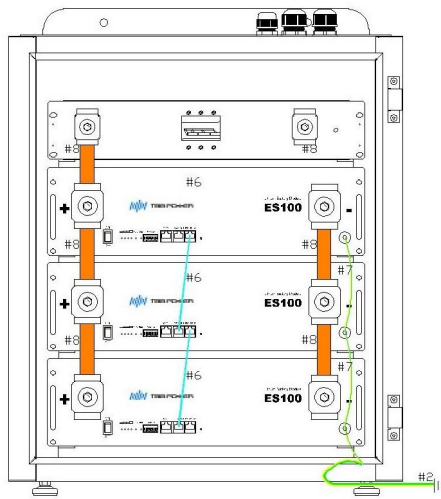


4xLS75
300Ah, 14.4kWh

③

Other Usage of Power Rack

To install PDP/HUB+battery modules



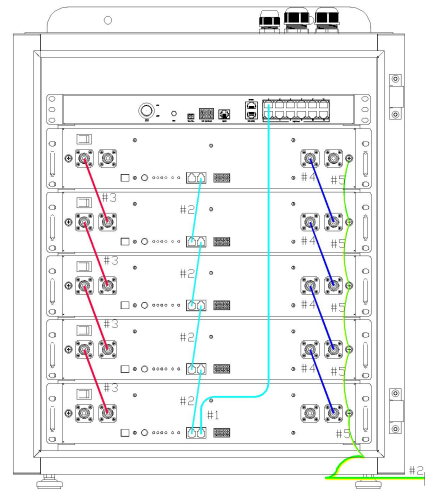
**3*ES100 +
1* PDP-ES100**

④



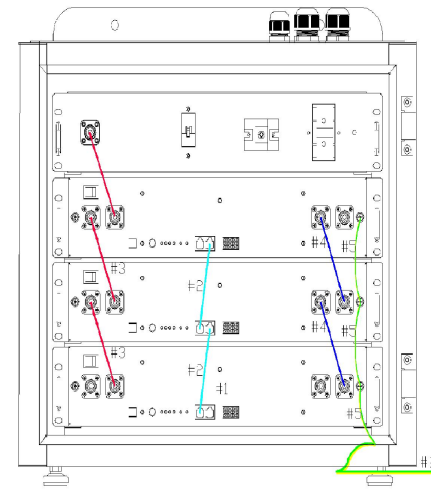
**5*LS50 +
1* PDP-LS50**

⑤



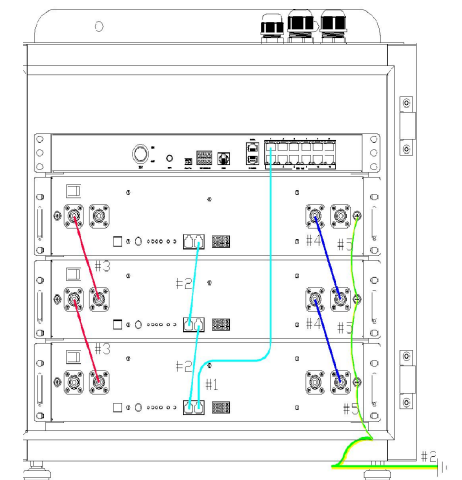
**5*LS50 +
1* LS HUB**

⑥



**3*LS75 +
1* PDP-LS75**

⑦



**3*LS75 +
1* LS HUB**

⑧

Easy Power, Easy Life

THANKS

TBB POWER CO., LTD

 Facebook: tbbpower

 LinkedIn: xiamen-tbb-power-co-ltd

 Instagram: tbb.power

 Youtube: TBB Power