

Pallet and Packaging information SHARP PV Modules

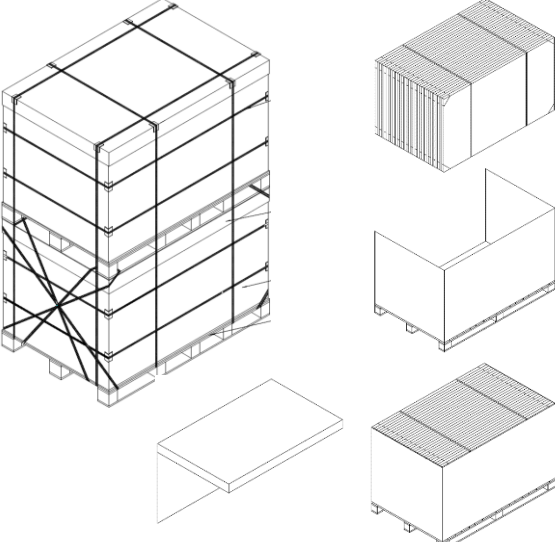
NB-JDxxx ≥ 545W

Pallet and Packaging information	EN	p.	2
Paletten- und Verpackungsinformation	DE	p.	3
Informations sur la palette et l'emballage	FR	p.	4
Información sobre palets y embalajes	ES	p.	5
Informacje dotyczące palet i opakowań	PL	p.	6
Pallet- en verpakkingsinformatie	NL	p.	7
Raklap és csomagolási információk	HU	p.	8
Informazioni su pallet e imballaggi	IT	p.	9
Informações de paletes e embalagens	PT	p.	10
Informace o paletách a obalech	CZ	p.	11
Informacija apie padėklus ir pakuotę	LT	p.	12
Informații despre paleti și ambalaje	RO	p.	13

Pallet and Packaging information SHARP PV Modules

Applicable to the following 144 cell module types: **NB-JDxxx ≥ 545W**

Pallet Size		Delivery Information		Name of Packing	Material	Weight
Length Width	2,311 mm 1,125 mm	Modules per pallet	36 pcs	Packing Carton	Corrugated paper	10.78 kg
Height single stack	1,250 mm	Modules per truck (40 feet)	720 pcs	Pallet	Plywood	34.66 kg
Height double stack	2,500 mm	Pallets per truck (40 feet)	20 pcs	Plastic Strap	PET	1.31 kg
Single stack weight (pallet + modules)	1,210 kg	Module direction on pallet	upright on long side	Plastic Wrap	PEL5D98	1.39 kg
Double stack weight (pallets + modules)	2,420 kg					

Pallet Side View (Double Stack)		Storage And Transportation	
		Max. Stacking for storage	2 pallets
		Max. Stacking for transportation	2 pallets

Shipment Data Sheet

SHIPMENT DATA SHEET					
Pallet: X123456Y789					
PACKING DATE :		202x-xx-xx			
MODEL NO :		NB-JD545S 1)			
No.	Serial No.	Pmax(W)	No.	Serial No.	Pmax(W)
18	X123456Y78912	545,00	36	X123456Y78912	545,00
17	X123456Y78912	545,00	35	X123456Y78912	545,00
16	X123456Y78912	545,00	34	X123456Y78912	545,00
15	X123456Y78912	545,00	33	X123456Y78912	545,00
14	X123456Y78912	545,00	32	X123456Y78912	545,00
13	X123456Y78912	545,00	31	X123456Y78912	545,00
12	X123456Y78912	545,00	30	X123456Y78912	545,00
11	X123456Y78912	545,00	29	X123456Y78912	545,00
10	X123456Y78912	545,00	28	X123456Y78912	545,00
9	X123456Y78912	545,00	27	X123456Y78912	545,00
8	X123456Y78912	545,00	26	X123456Y78912	545,00
7	X123456Y78912	545,00	25	X123456Y78912	545,00
6	X123456Y78912	545,00	24	X123456Y78912	545,00
5	X123456Y78912	545,00	23	X123456Y78912	545,00
4	X123456Y78912	545,00	22	X123456Y78912	545,00
3	X123456Y78912	545,00	21	X123456Y78912	545,00
2	X123456Y78912	545,00	20	X123456Y78912	545,00
1	X123456Y78912	545,00	19	X123456Y78912	545,00

Label Information

SHARP PHOTOVOLTAIC MODULE MODEL : NB-JD550 SHARP CORPORATION 1 Takumi-cho, Sakai-ku, Sakai-shi, Osaka 590-8522, Japan MADE IN CHINA	Pmax(+5%/-0%) 550W Vmpp 42.44V Voc(+10%/-10%) 50.63V Impp 12.96A Isc(+10%/-10%) 13.83A
	NOTE: IRRADIANCE OF 1000W/m ² , AM1.5 SPEC IDENTIFICATION CODE : SERIAL NUMBER :

SHARP PHOTOVOLTAIC MODULE MODEL : NB-JD550 SHARP CORPORATION 1 Takumi-cho, Sakai-ku, Sakai-shi, Osaka 590-8522, Japan MADE IN CHINA	Pmax(+5%/-0%) 550W Vmpp 42.44V MAXIMUM SYSTEM VOLTAGE 1500V Voc(+10%/-10%) 50.63V Impp 12.96A OVER-CURRENT PROTECTION 30A Isc(+10%/-10%) 13.83A TYPICAL WEIGHT 32.5kg NOTE: IRRADIANCE OF 1000W/m ² , AM1.5 SPECTRUM AND CELL TEMPERATURE OF 25°C IDENTIFICATION CODE : SERIAL NUMBER :	CE UKCA IEC 61215 IEC 61730 EN 50639-1 EN 50639-2 EN 50639-3 EN 50639-4 EN 50639-5 EN 50639-6 EN 50639-7 EN 50639-8 EN 50639-9 EN 50639-10 EN 50639-11 EN 50639-12 EN 50639-13 EN 50639-14 EN 50639-15 EN 50639-16 EN 50639-17 EN 50639-18 EN 50639-19 EN 50639-20 EN 50639-21 EN 50639-22 EN 50639-23 EN 50639-24 EN 50639-25 EN 50639-26 EN 50639-27 EN 50639-28 EN 50639-29 EN 50639-30 EN 50639-31 EN 50639-32 EN 50639-33 EN 50639-34 EN 50639-35 EN 50639-36 EN 50639-37 EN 50639-38 EN 50639-39 EN 50639-40 EN 50639-41 EN 50639-42 EN 50639-43 EN 50639-44 EN 50639-45 EN 50639-46 EN 50639-47 EN 50639-48 EN 50639-49 EN 50639-50 EN 50639-51 EN 50639-52 EN 50639-53 EN 50639-54 EN 50639-55 EN 50639-56 EN 50639-57 EN 50639-58 EN 50639-59 EN 50639-60 EN 50639-61 EN 50639-62 EN 50639-63 EN 50639-64 EN 50639-65 EN 50639-66 EN 50639-67 EN 50639-68 EN 50639-69 EN 50639-70 EN 50639-71 EN 50639-72 EN 50639-73 EN 50639-74 EN 50639-75 EN 50639-76 EN 50639-77 EN 50639-78 EN 50639-79 EN 50639-80 EN 50639-81 EN 50639-82 EN 50639-83 EN 50639-84 EN 50639-85 EN 50639-86 EN 50639-87 EN 50639-88 EN 50639-89 EN 50639-90 EN 50639-91 EN 50639-92 EN 50639-93 EN 50639-94 EN 50639-95 EN 50639-96 EN 50639-97 EN 50639-98 EN 50639-99 EN 50639-100
--------------------------------------------------------------------------------------------------------------------------------------------------------------	-------------------------------------------------------------------------------------------------------------------------------------------------------------------------------------------------------------------------------------------------------------------------------------------------------------------	------------------------------------------------------------------------------------------------------------------------------------------------------------------------------------------------------------------------------------------------------------------------------------------------------------------------------------------------------------------------------------------------------------------------------------------------------------------------------------------------------------------------------------------------------------------------------------------------------------------------------------------------------------------------------------------------------------------------------------------------------------------------------------------------------------------------------------------------------------------------------------------------------------------------------------------------------------------------------------------------------------------------------------------------------------------------------------------------------------------------------------------------------------------------------------------------------------------------------------------------------------------------------------------------------------------------------------------------------------------------------------------------------------------------------------------------------------------------------------------------------------------------------------------------------------------------------------------

MAXIMUM SYSTEM VOLTAGE 1500V OVER-CURRENT PROTECTION 30A TYPICAL WEIGHT 32.5kg TRUM AND CELL TEMPERATURE OF 25°C	SHARP ELECTRONICS GmbH Hagenberg 33-35, 20037 Hamburg, Germany www.sharp.eu
SHARP ELECTRONICS (EUROPE) Limited 4 Furzground Way, Stockley Park, Uxbridge Middlesex, UB11 1LZ, United Kingdom	

- Module No. 1 stands in a opposite orientation to the other modules on the pallet.
- Pallet documentation shows:
 - Model No.
 - Pallet serial number and barcode
 - Packing date
 - Module serial number and barcode
 - Electrical Power Pmax (W)
- EAN Code is not available

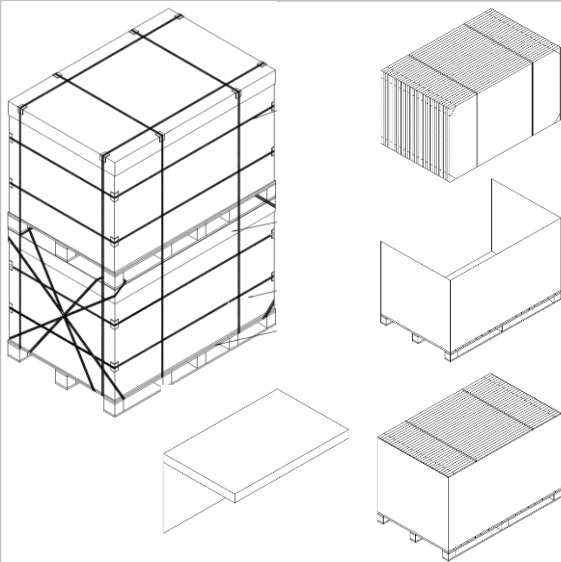
1) S = Sharp Energy Solutions standard with Short solar cable (same as NB-JD545)

Paletten- und Verpackungsinformation SHARP PV Module

Gilt für den folgenden 144 Zellen Modultyp: **NB-JDxxx ≥ 545W**

Palettengröße		Lieferinformation		Verpackungsart	Material	Gewicht
Länge Breite	2.311 mm 1.125 mm	Module pro Palette	36 Stck	Kartonage	Wellpappe	10,78 kg
Höhe Einfachpalette	1.250 mm	Module pro LKW (40 Fuss)	720 Stck	Palette	Sperrholz	34,66 kg
Höhe Doppelpalette	2.500 mm	Paletten pro LKW (40 Fuss)	20 Stck	Plastikbänder	PET	1,31 kg
Gewicht Einfachpalette (Palette + Module)	1.210 kg	Modulaustrichtung auf der Palette	hochkant lange Seite	Plastikfolie	PEL5D98	1,39 kg
Gewicht Doppelpalette (Paletten + Module)	2.420 kg					

Paletten Seitenansicht (Doppelpalette)



Lagerung und Transport

Max. stapelbar bei Lagerung	2 Paletten
Max. stapelbar bei Transport	2 Paletten

Versanddatenblatt

SHIPMENT DATA SHEET					
Pallet: X123456Y789					
PACKING DATE		: 202x-xx-xx			
MODEL NO		: NB-JD5455 1)			
No.	Serial No.	Pmax(W)	No.	Serial No.	Pmax(W)
18	X123456Y78912	545,00	36	X123456Y78912	545,00
17	X123456Y78912	545,00	35	X123456Y78912	545,00
16	X123456Y78912	545,00	34	X123456Y78912	545,00
15	X123456Y78912	545,00	33	X123456Y78912	545,00
14	X123456Y78912	545,00	32	X123456Y78912	545,00
13	X123456Y78912	545,00	31	X123456Y78912	545,00
12	X123456Y78912	545,00	30	X123456Y78912	545,00
11	X123456Y78912	545,00	29	X123456Y78912	545,00
10	X123456Y78912	545,00	28	X123456Y78912	545,00
9	X123456Y78912	545,00	27	X123456Y78912	545,00
8	X123456Y78912	545,00	26	X123456Y78912	545,00
7	X123456Y78912	545,00	25	X123456Y78912	545,00
6	X123456Y78912	545,00	24	X123456Y78912	545,00
5	X123456Y78912	545,00	23	X123456Y78912	545,00
4	X123456Y78912	545,00	22	X123456Y78912	545,00
3	X123456Y78912	545,00	21	X123456Y78912	545,00
2	X123456Y78912	545,00	20	X123456Y78912	545,00
1	X123456Y78912	545,00	19	X123456Y78912	545,00

Typenschild Information

SHARP PHOTOVOLTAIC MODULE MODEL : NB-JD550 SHARP CORPORATION 1 Takumi-cho, Sakai-ku, Sakai-shi, Osaka 590-8522, Japan MADE IN CHINA	Pmax(+5%/-0%) 550W Vmpp 42.44V Voc(+10%/-10%) 50.63V Impp 12.96A Isc(+10%/-10%) 13.83A NOTE: IRRADIANCE OF 1000W/m ² , AM1.5 SPEC IDENTIFICATION CODE : SERIAL NUMBER :
--------------------------------------------------------------------------------------------------------------------------------------------------------------	---------------------------------------------------------------------------------------------------------------------------------------------------------------------------------------------------

SHARP PHOTOVOLTAIC MODULE MODEL : NB-JD550 SHARP CORPORATION 1 Takumi-cho, Sakai-ku, Sakai-shi, Osaka 590-8522, Japan MADE IN CHINA	Pmax(+5%/-0%) 550W Vmpp 42.44V MAXIMUM SYSTEM VOLTAGE 1500V Voc(+10%/-10%) 50.63V OVER-CURRENT PROTECTION 30A Isc(+10%/-10%) 13.83A TYPICAL WEIGHT 32.5kg NOTE: IRRADIANCE OF 1000W/m ² , AM1.5 SPECTRUM AND CELL TEMPERATURE OF 25°C	
IDENTIFICATION CODE : SERIAL NUMBER :		

MAXIMUM SYSTEM VOLTAGE 1500V OVER-CURRENT PROTECTION 30A TYPICAL WEIGHT 32.5kg TRUM AND CELL TEMPERATURE OF 25°C	
EU SHARP ELECTRONICS GmbH Hagenberg 33-35, 20097 Hamburg, Germany www.sharp.eu	UK SHARP ELECTRONICS (EUROPE) Limited 4 Furzengrond Way, Stockley Park, Uxbridge Middlesex, UB11 1LZ, United Kingdom

- Modul Nr. 1 steht in entgegengesetzter Ausrichtung zu den anderen Modulen auf der Palette.
- Versanddatenblatt enthält:
 - Modell Typ
 - Paletten-Seriennummer und Barcode
 - Verpackungsdatum
 - Modul-Seriennummer und Barcode
 - Elektrische Leistung Pmax (W)
- EAN Code ist nicht vorhanden

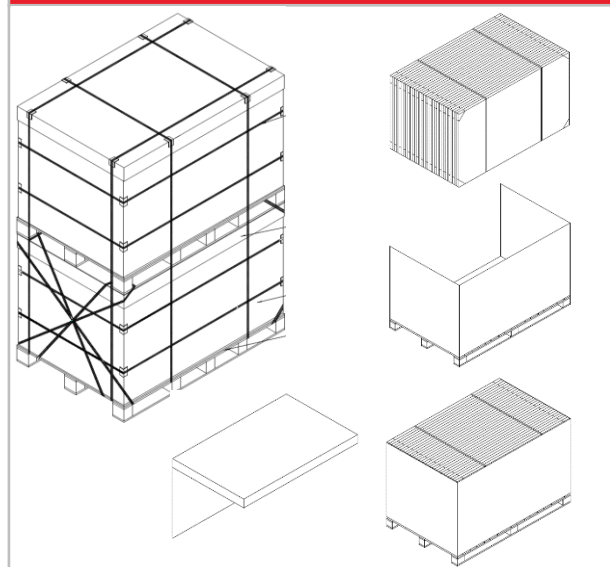
1) S = Sharp Energy Solutions Standard mit kurzem Solarkabel (entspricht dem NB-JD545)

Informations sur la palette et l'emballage SHARP PV Modules

Applicable aux types de modules à 144 cellules suivants: **NB-JDxxx ≥ 545W**

Dimensions des palettes		Informations de livraison		Nom de l'emballage	Matériel	Poids
Longueur Largeur	2 311 mm 1 125 mm	Modules par palette	36 pcs.	Carton d'emballage	Papier ondulé	10,78 kg
Hauteur pile simple	1 250 mm	Modules par camion (40 pieds)	720 pcs	Palette	Contre-plaqué	34,66 kg
Hauteur double pile	2 500 mm	Palettes par camion (40 pieds)	20 pcs	Bracelet en plastique	PET	1,31 kg
Poids d'une seule pile (palette + modules)	1 210 kg	Orientation des modules sur palette	debout sur long côté	Emballage plastique	PEL5D98	1,39 kg
Poids de la pile double (palettes + modules)	2 420 kg					

Vue latérale de la palette (double pile) Stockage et transport



Max. Empilage pour le stockage	2 palettes
Max. Empilage pour le transport	2 palettes

Fiche de données d'expédition

SHIPMENT DATA SHEET					
Pallet: X123456Y789					
PACKING DATE :		202x-xx-xx			
MODEL NO :		NB-JD5455 1)			
No.	Serial No.	Pmax(W)	No.	Serial No.	Pmax(W)
18	X123456Y78912	545,00	36	X123456Y78912	545,00
17	X123456Y78912	545,00	35	X123456Y78912	545,00
16	X123456Y78912	545,00	34	X123456Y78912	545,00
15	X123456Y78912	545,00	33	X123456Y78912	545,00
14	X123456Y78912	545,00	32	X123456Y78912	545,00
13	X123456Y78912	545,00	31	X123456Y78912	545,00
12	X123456Y78912	545,00	30	X123456Y78912	545,00
11	X123456Y78912	545,00	29	X123456Y78912	545,00
10	X123456Y78912	545,00	28	X123456Y78912	545,00
9	X123456Y78912	545,00	27	X123456Y78912	545,00
8	X123456Y78912	545,00	26	X123456Y78912	545,00
7	X123456Y78912	545,00	25	X123456Y78912	545,00
6	X123456Y78912	545,00	24	X123456Y78912	545,00
5	X123456Y78912	545,00	23	X123456Y78912	545,00
4	X123456Y78912	545,00	22	X123456Y78912	545,00
3	X123456Y78912	545,00	21	X123456Y78912	545,00
2	X123456Y78912	545,00	20	X123456Y78912	545,00
1	X123456Y78912	545,00	19	X123456Y78912	545,00

Informations sur l'étiquette

SHARP
PHOTOVOLTAIC MODULE
MODEL : NB-JD550
SHARP CORPORATION
1 Takumi-cho, Sakai-ku, Sakai-shi,
Osaka 590-8522, Japan
MADE IN CHINA

Pmax(+5%/-0%)	550W	Vmpp	42.44V
Voc(+10%/-10%)	50.63V	Imp	12.96A
Isc(+10%/-10%)	13.83A		

NOTE: IRRADIANCE OF 1000W/m², AM1.5 SPEC
IDENTIFICATION CODE :
SERIAL NUMBER :

SHARP PHOTOVOLTAIC MODULE MODEL : NB-JD550
Pmax(+5%/-0%) 550W Vmpp 42.44V MAXIMUM SYSTEM VOLTAGE 1500V
Voc(+10%/-10%) 50.63V OVER CURRENT PROTECTION 30A
Isc(+10%/-10%) 13.83A TYPICAL WEIGHT 32.5kg
NOTE: IRRADIANCE OF 1000W/m², AM1.5 SPEC RUM AND CELL TEMPERATURE OF 25°C
IDENTIFICATION CODE :
SERIAL NUMBER :

MAXIMUM SYSTEM VOLTAGE	1500V	
OVER-CURRENT PROTECTION	30A	
TYPICAL WEIGHT	32.5kg	
TRUM AND CELL TEMPERATURE OF 25°C		

EU SHARP ELECTRONICS GmbH
Hagenberg 33-35, 20097 Hamburg, Germany www.sharp.eu

UK SHARP ELECTRONICS (EUROPE) Limited
4 Furzenground Way, Stockley Park, Uxbridge Middlesex,
UB11 1LZ, United Kingdom

- Le module N°1 se trouve dans une orientation opposée aux autres modules sur la palette.
- La feuille de données d'expédition indique:
 - Numéro de modèle
 - Numéro de série et code-barres de la palette
 - Date d'emballage
 - Numéro de série et code-barres du module
 - Puissance électrique Pmax (W)
- Le code EAN n'est pas disponible

¹⁾ S = Sharp Energy Solutions standard avec câble solaire court (identique au NB-JD545)

Información sobre palets y embalajes SHARP PV Modules

Aplicable a los siguientes tipos de módulos de 144 células: **NB-JDxxx ≥ 545W**

Tamaño del palet		Información de entrega		Nombre del embalaje	Material	Peso
Longitud Anchura	2.311 mm 1.125 mm	Módulos por palet	36 uds.	Caja de embalaje	Papel corrugado	10,78 kg
Altura de pila única	1.250 mm	Módulos por camión (40 pies)	720 uds.	Palet	Madera contrachapada	34,66 kg
Altura doble pila	2.500 mm	Palets por camión (40 pies)	20 uds.	Correa de plástico	PET	1,31 kg
Peso de una sola pila (palet + módulos)	1.210 kg	Dirección del módulo en palet	erguido sobre lado largo	Envoltura de plástico	PEL5D98	1,39 kg
Peso de doble pila (palet + módulos)	2.420 kg					

Vista lateral del palet (pila doble)	Almacenamiento y transporte
	Max. Apilamiento para almacenamiento
	Max. Apilamiento para transporte

Hoja de datos de envío

SHIPMENT DATA SHEET					
Pallet:		X123456Y789			
PACKING DATE		: 202x-xx-xx			
MODEL NO		: NB-JD545S 1)			
No.	Serial No.	Pmax(W)	No.	Serial No.	Pmax(W)
18	X123456Y78912	545,00	36	X123456Y78912	545,00
17	X123456Y78912	545,00	35	X123456Y78912	545,00
16	X123456Y78912	545,00	34	X123456Y78912	545,00
15	X123456Y78912	545,00	33	X123456Y78912	545,00
14	X123456Y78912	545,00	32	X123456Y78912	545,00
13	X123456Y78912	545,00	31	X123456Y78912	545,00
12	X123456Y78912	545,00	30	X123456Y78912	545,00
11	X123456Y78912	545,00	29	X123456Y78912	545,00
10	X123456Y78912	545,00	28	X123456Y78912	545,00
9	X123456Y78912	545,00	27	X123456Y78912	545,00
8	X123456Y78912	545,00	26	X123456Y78912	545,00
7	X123456Y78912	545,00	25	X123456Y78912	545,00
6	X123456Y78912	545,00	24	X123456Y78912	545,00
5	X123456Y78912	545,00	23	X123456Y78912	545,00
4	X123456Y78912	545,00	22	X123456Y78912	545,00
3	X123456Y78912	545,00	21	X123456Y78912	545,00
2	X123456Y78912	545,00	20	X123456Y78912	545,00
1	X123456Y78912	545,00	19	X123456Y78912	545,00

Información de la etiqueta

SHARP
PHOTOVOLTAIC MODULE
MODEL : NB-JD550
SHARP CORPORATION
1 Takumi-cho, Sakai-ku, Sakai-shi,
Osaka 590-8522, Japan
MADE IN CHINA

Pmax(+5%/-0%) 550W Vmpp 42.44V
Voc(+10%/-10%) 50.63V Impp 12.96A
Isc(+10%/-10%) 13.83A

NOTE: IRRADIANCE OF 1000W/m², AM1.5 SPEC
IDENTIFICATION CODE :
SERIAL NUMBER :

SHARP PHOTOVOLTAIC MODULE MODEL : NB-JD550
Pmax(+5%/-0%) 550W Vmpp 42.44V MAXIMUM SYSTEM VOLTAGE 1500V
Voc(+10%/-10%) 50.63V Impp 12.96A OVER CURRENT PROTECTION 30A
Isc(+10%/-10%) 13.83A TYPICAL WEIGHT 32.5kg
NOTE: IRRADIANCE OF 1000W/m², AM1.5 SPEC IRRUM AND CELL TEMPERATURE OF 25°C
IDENTIFICATION CODE :
SERIAL NUMBER :

MAXIMUM SYSTEM VOLTAGE 1500V
OVER-CURRENT PROTECTION 30A
TYPICAL WEIGHT 32.5kg
IRUM AND CELL TEMPERATURE OF 25°C

EU SHARP ELECTRONICS GmbH
Hagenweg 33-35, 20037 Hamburg, Germany www.sharp.eu

UK SHARP ELECTRONICS (EUROPE) Limited
4 Furzground Way, Stockley Park, Uxbridge Middlesex,
UB11 1LZ, United Kingdom

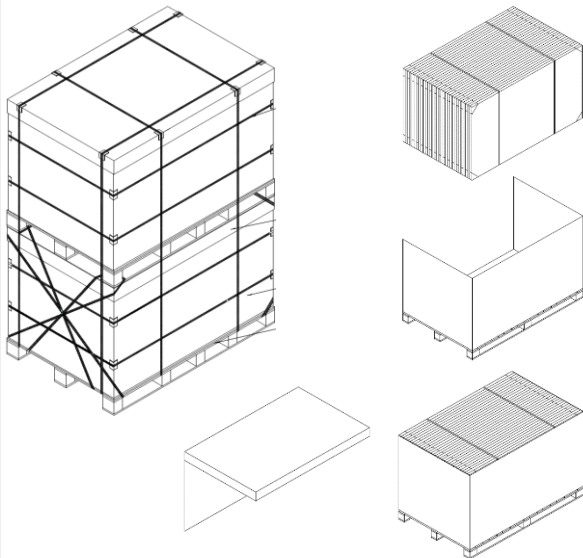
- El módulo N° 1 se encuentra en una orientación opuesta a los otros módulos en el palet.
- Muestra la hoja de datos de envío:
 - Tipo de modelo
 - Número de serie y código de barras del palet
 - Fecha de empaquetado
 - Número de serie y código de barras del módulo
 - Potencia eléctrica Pmax (W)
- El código EAN no está disponible

1) S = Sharp Energy Solutions estándar con cable solar corto (igual que NB-JD545)

Informacje dotyczące palet i opakowań moduły PV SHARP

Dotyczy następujących typów modułów ze 144 ogniwami: **NB-JDxxx ≥ 545W**

Rozmiar palety		Informacje o dostawie		Nazwa opakowania	Materiał	Masa
Długość	2 311 mm	Modułów na paletę	36 szt.	Karton do pakowania	Papier falisty	10,78 kg
Szerokość	1 125 mm					
Wysokość pojedynczego stosu	1 250 mm	Moduły na ciężarówkę (40 stóp)	720 szt.	Paleta	Sklejka	34,66 kg
Wysokość podwójnego stosu	2 500 mm	Palety na ciężarówkę (40 stóp)	20 szt.	Plastikowy pasek	PET	1,31 kg
Waga pojedynczego stosu (paleta + moduły)	1 210 kg	Kierunek modułu na palecie	pionowo długi bok	Plastikowe opakowanie	PEL5D98	1,39 kg
Waga podwójnego stosu (paleta + moduły)	2 420 kg					

Widok z boku palety (podwójny stos)		Przechowywanie i transport	
		Maks. Układanie do przechowywania	2 palety
		Maks. Układanie do transportu	2 palety


Arkusze danych przesyłki

SHIPMENT DATA SHEET					
Pallet:		X123456789			
PACKING DATE		: 202x-xx-xx			
MODEL NO		: NB-JD5455 1)			
No.	Serial No.	Pmax(W)	No.	Serial No.	Pmax(W)
18	X12345678912	545,00	36	X12345678912	545,00
	X12345678912	545,00	35	X12345678912	545,00
17	X12345678912	545,00	34	X12345678912	545,00
	X12345678912	545,00	33	X12345678912	545,00
16	X12345678912	545,00	32	X12345678912	545,00
	X12345678912	545,00	31	X12345678912	545,00
15	X12345678912	545,00	30	X12345678912	545,00
	X12345678912	545,00	29	X12345678912	545,00
14	X12345678912	545,00	28	X12345678912	545,00
	X12345678912	545,00	27	X12345678912	545,00
13	X12345678912	545,00	26	X12345678912	545,00
	X12345678912	545,00	25	X12345678912	545,00
12	X12345678912	545,00	24	X12345678912	545,00
	X12345678912	545,00	23	X12345678912	545,00
11	X12345678912	545,00	22	X12345678912	545,00
	X12345678912	545,00	21	X12345678912	545,00
10	X12345678912	545,00	20	X12345678912	545,00
9	X12345678912	545,00	19	X12345678912	545,00
8	X12345678912	545,00			
7	X12345678912	545,00			
6	X12345678912	545,00			
5	X12345678912	545,00			
4	X12345678912	545,00			
3	X12345678912	545,00			
2	X12345678912	545,00			
1	X12345678912	545,00			

Informacje o etykiecie

SHARP PHOTOVOLTAIC MODULE MODEL : NB-JD550 SHARP CORPORATION 1 Takumi-cho, Sakai-ku, Sakai-shi, Osaka 590-8522, Japan MADE IN CHINA	Pmax(+5%/-0%)	550W	Vmpp	42.44V
	Voc(+10%/-10%)	50.63V	Imp	12.96A
	Isc(+10%/-10%)	13.83A		
	NOTE: IRRADIANCE OF 1000W/m ² , AM1.5 SPEC			
IDENTIFICATION CODE : SERIAL NUMBER :				

SHARP PHOTOVOLTAIC MODULE MODEL : NB-JD550 SHARP CORPORATION 1 Takumi-cho, Sakai-ku, Sakai-shi, Osaka 590-8522, Japan MADE IN CHINA	Pmax(+5%/-0%)	550W	Vmpp	42.44V	MAXIMUM SYSTEM VOLTAGE	1500V
	Voc(+10%/-10%)	50.63V	Imp	12.96A	OVER-CURRENT PROTECTION	30A
	Isc(+10%/-10%)	13.83A			TYPICAL WEIGHT	32.5kg
	NOTE: IRRADIANCE OF 1000W/m ² , AM1.5 SPEC				TYPICAL WEIGHT	
IDENTIFICATION CODE : SERIAL NUMBER :					TRIM AND CELL TEMPERATURE OF 25°C	

MAXIMUM SYSTEM VOLTAGE	1500V		SHARP ELECTRONICS GmbH Hagenbergweg 33-35, 20097 Hamburg, Germany www.sharp.eu
OVER-CURRENT PROTECTION	30A		
TYPICAL WEIGHT	32.5kg	EU	SHARP ELECTRONICS (EUROPE) Limited 4 Furzengrond Way, Stockley Park, Uxbridge Middlesex, UB11 1LZ, United Kingdom
TRIM AND CELL TEMPERATURE OF 25°C		UK	

- Moduł nr 1 stoi w odwrotnej orientacji do pozostałych modułów na palecie.
- Dokumentacja paletowa pokazuje:
 - Model nr.
 - Numer seryjny i kod kreskowy palety
 - Data pakowania
 - Numer seryjny i kod kreskowy modułu
 - Moc elektryczna Pmax (W)
- Kod EAN jest niedostępny

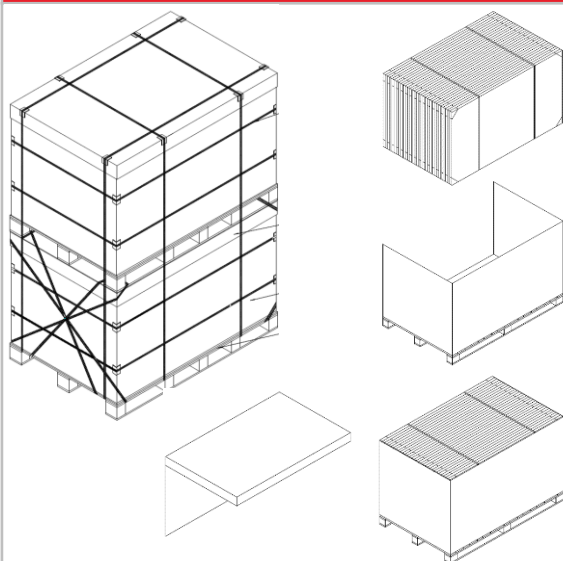
1) S = Sharp Energy Solutions standard z krótkim kablem fotowoltaicznym (tak samo jak NB-JD545)

Pallet- en verpakkingsinformatie SHARP PV Modules

Van toepassing op de volgende types met 144 cellen: **NB-JDxxx ≥ 545W**

Palletmaat		Leveringsinformatie		Naam van de verpakking	Materiaal	Gewicht
Lengte Breedte	2.311 mm 1.125 mm	Panelen per pallet	36 stuks	Verpakkingsdoos	Golfpapier	10,78 kg
Hoogte enkele stapel	1.250 mm	Modules per vrachtwagen (40 voet)	720 stuks	Pallet	Multiplex	34,66 kg
Hoogte dubbele stapel	2.500 mm	Pallets per vrachtwagen (40 voet)	20 stuks	Kunststof band	PET	1,31 kg
Gewicht enkele stapel (pallet + modules)	1.210 kg	Modulerichting op pallet	rechtop oplange zijde	Plasticfolie	PEL5D98	1,39 kg
Dubbel stapelgewicht (pallets + modules)	2.420 kg					

Pallet zijaanzicht (dubbele stapel) Opslag en transport



Maximaal Stapelen voor opslag	2 pallets
Maximaal Stapelen voor transport	2 pallets

Verzendgegevensblad

SHIPMENT DATA SHEET					
Pallet: X123456Y789					
PACKING DATE :		202x-xx-xx			
MODEL NO :		NB-JD5455 1)			
No.	Serial No.	Pmax(W)	No.	Serial No.	Pmax(W)
18	X123456Y78912	545,00	36	X123456Y78912	545,00
17	X123456Y78912	545,00	35	X123456Y78912	545,00
16	X123456Y78912	545,00	34	X123456Y78912	545,00
15	X123456Y78912	545,00	33	X123456Y78912	545,00
14	X123456Y78912	545,00	32	X123456Y78912	545,00
13	X123456Y78912	545,00	31	X123456Y78912	545,00
12	X123456Y78912	545,00	30	X123456Y78912	545,00
11	X123456Y78912	545,00	29	X123456Y78912	545,00
10	X123456Y78912	545,00	28	X123456Y78912	545,00
9	X123456Y78912	545,00	27	X123456Y78912	545,00
8	X123456Y78912	545,00	26	X123456Y78912	545,00
7	X123456Y78912	545,00	25	X123456Y78912	545,00
6	X123456Y78912	545,00	24	X123456Y78912	545,00
5	X123456Y78912	545,00	23	X123456Y78912	545,00
4	X123456Y78912	545,00	22	X123456Y78912	545,00
3	X123456Y78912	545,00	21	X123456Y78912	545,00
2	X123456Y78912	545,00	20	X123456Y78912	545,00
1	X123456Y78912	545,00	19	X123456Y78912	545,00

Labelinformatie

SHARP PHOTOVOLTAIC MODULE MODEL : NB-JD550 SHARP CORPORATION 1 Takumi-cho, Sakai-ku, Sakai-shi, Osaka 590-8522, Japan MADE IN CHINA	Pmax(+5%/-0%) 550W Vmpp 42.44V Voc(+10%/-10%) 50.63V Impp 12.96A Isc(+10%/-10%) 13.83A	NOTE: IRRADIANCE OF 1000W/m ² , AM1.5 SPEC IDENTIFICATION CODE : SERIAL NUMBER :

SHARP PHOTOVOLTAIC MODULE MODEL : NB-JD550 SHARP CORPORATION 1 Takumi-cho, Sakai-ku, Sakai-shi, Osaka 590-8522, Japan MADE IN CHINA	Pmax(+5%/-0%) 550W Vmpp 42.44V MAXIMUM SYSTEM VOLTAGE 1500V Voc(+10%/-10%) 50.63V Impp 12.96A OVER-CURRENT PROTECTION 30A Isc(+10%/-10%) 13.83A TYPICAL WEIGHT 32.5kg	NOTE: IRRADIANCE OF 1000W/m ² , AM1.5 SPECTRUM AND CELL TEMPERATURE OF 25°C IDENTIFICATION CODE : SERIAL NUMBER :

MAXIMUM SYSTEM VOLTAGE 1500V OVER-CURRENT PROTECTION 30A TYPICAL WEIGHT 32.5kg TRUM AND CELL TEMPERATURE OF 25°C	
EU SHARP ELECTRONICS GmbH Hagenbergweg 33-35, 20097 Hamburg, Germany www.sharp.eu	UK SHARP ELECTRONICS (EUROPE) Limited 4 Furzground Way, Stockley Park, Uxbridge Middlesex, UB11 1LZ, United Kingdom

- Module nr. 1 staat tegenover de andere modules op de pallet.
- Palletdocumentatie toont:
 - Modelnr.
 - Serienummer en barcode van pallets
 - Verpakkingsdatum
 - Serienummer en barcode van de module
 - Elektrisch vermogen Pmax (W)
- EAN-code is niet beschikbaar

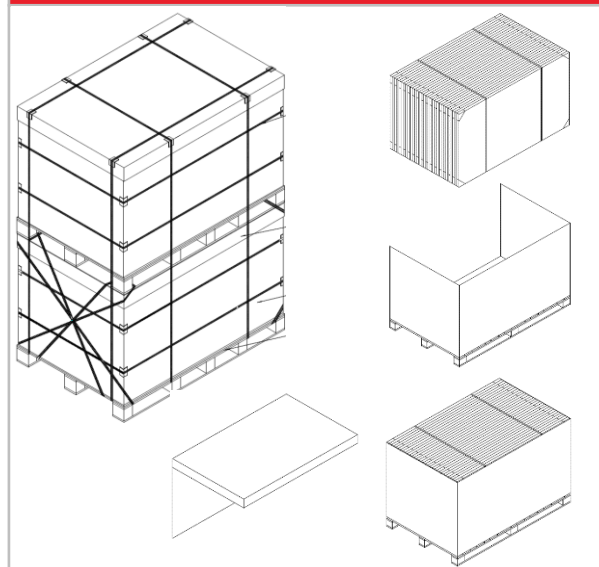
1) S = Sharp Energy Solutions standaard met korte zonnekabel (hetzelfde als NB-JD545)

Raklap és csomagolási információk SHARP PV Modules

A következő 144 cellás modul típusra alkalmazandó: **NB-JDxxx ≥ 545W**

Raklap méret		Kézbeseítési információ		Csomagolás neve	Anyag	Súly
Hosszúság Szélesség	2 311 mm 1 125 mm	Modulok raklaponként	36 db	Csomagoló karton	Hullámpapír	10,78 kg
Magasság egy köteg	1 250 mm	Modulok teherautónként (40 láb)	720 db	Raklap	Plywood	34,66 kg
Magasság dupla köteg	2 500 mm	Raklap teherautónként (40 láb)	20 db	Műanyag szíj	PET	1,31 kg
Egy köteg súlya (raklap + modulok)	1 210 kg	Modul irányaraklapon	egyenesen rajtahosszú oldal	Műanyag csomagolást	PEL5D98	1,39 kg
Dupla kötegsúly (raklap + modulok)	2 420 kg					

Raklap oldalnézet (kettős halom) Tárolás és Szállítás



Max. Raktározás a tároláshoz	2 raklap
Max. Rakodás a szállításhoz	2 raklap

Szállítási adatlap

SHIPMENT DATA SHEET					
Pallet: X123456Y789					
PACKING DATE		: 202x-xx-xx			
MODEL NO		: NB-JD5455 1)			
No.	Serial No.	Pmax(W)	No.	Serial No.	Pmax(W)
18	X123456Y78912	545,00	36	X123456Y78912	545,00
17	X123456Y78912	545,00	35	X123456Y78912	545,00
16	X123456Y78912	545,00	34	X123456Y78912	545,00
15	X123456Y78912	545,00	33	X123456Y78912	545,00
14	X123456Y78912	545,00	32	X123456Y78912	545,00
13	X123456Y78912	545,00	31	X123456Y78912	545,00
12	X123456Y78912	545,00	30	X123456Y78912	545,00
11	X123456Y78912	545,00	29	X123456Y78912	545,00
10	X123456Y78912	545,00	28	X123456Y78912	545,00
9	X123456Y78912	545,00	27	X123456Y78912	545,00
8	X123456Y78912	545,00	26	X123456Y78912	545,00
7	X123456Y78912	545,00	25	X123456Y78912	545,00
6	X123456Y78912	545,00	24	X123456Y78912	545,00
5	X123456Y78912	545,00	23	X123456Y78912	545,00
4	X123456Y78912	545,00	22	X123456Y78912	545,00
3	X123456Y78912	545,00	21	X123456Y78912	545,00
2	X123456Y78912	545,00	20	X123456Y78912	545,00
1	X123456Y78912	545,00	19	X123456Y78912	545,00

Címke információ

SHARP
PHOTOVOLTAIC MODULE
MODEL : NB-JD550
SHARP CORPORATION
1 Takumi-cho, Sakai-ku, Sakai-shi,
Osaka 590-8522, Japan
MADE IN CHINA

Pmax(+5%/ -0%) 550W Vmpp 42.44V
Voc(+10%/ -10%) 50.63V Impp 12.96A
Isc(+10%/ -10%) 13.83A
NOTE: IRRADIANCE OF 1000W/m², AM1.5 SPEC
IDENTIFICATION CODE :
SERIAL NUMBER :

SHARP PHOTOVOLTAIC MODULE
MODEL : NB-JD550
Pmax(+5%/ -0%) 550W Vmpp 42.44V MAXIMUM SYSTEM VOLTAGE 1500V
Voc(+10%/ -10%) 50.63V Impp 12.96A OVER-CURRENT PROTECTION 30A
Isc(+10%/ -10%) 13.83A TYPICAL WEIGHT 32.5kg
NOTE: IRRADIANCE OF 1000W/m², AM1.5 SPEC RISM AND CELL TEMPERATURE OF 25°C
IDENTIFICATION CODE :
SERIAL NUMBER :

MAXIMUM SYSTEM VOLTAGE 1500V
OVER-CURRENT PROTECTION 30A
TYPICAL WEIGHT 32.5kg
TRIM AND CELL TEMPERATURE OF 25°C

SHARP ELECTRONICS GmbH
Hagenberg 33-35, 20097 Hamburg, Germany www.sharp.eu

SHARP ELECTRONICS (EUROPE) Limited
4 Furzenground Way, Stockley Park, Uxbridge Middlesex,
UB11 1LZ, United Kingdom

- Az 1. számú modul a raklapon lévő többi modulal ellentétes irányban áll.
- A raklap dokumentációja a következőket mutatja:
 - Model szám.
 - Raklap sorozatszáma és vonalkódja
 - Csomagolás dátuma
 - Modul sorozatszáma és vonalkódja
 - Elektromos teljesítmény Pmax (W)
- Az EAN kód nem elérhető

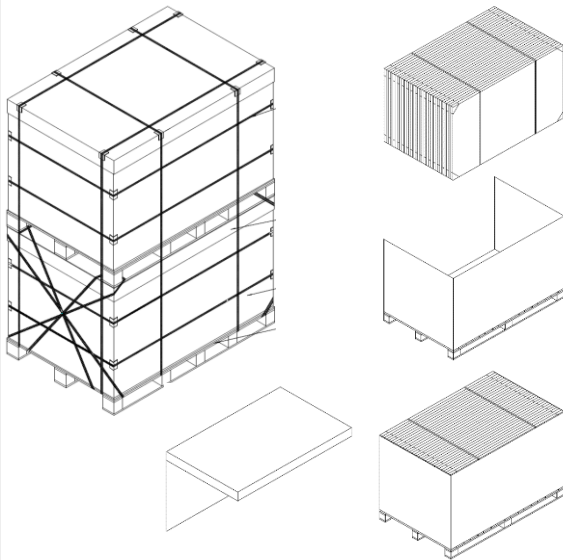
1) S = Sharp Energy Solutions standard rövid szolárkábellel (ugyanaz, mint a NB-JD545)

Informazioni su pallet e imballaggi moduli fotovoltaici SHARP

Applicabile ai seguenti 144 tipi di moduli celle: **NB-JDxxx ≥ 545W**

Dimensione del pallet		Informazioni sulla consegna		Nome dell'imballaggio	Materiale	Peso
Lunghezza Larghezza	2.311 mm 1.125 mm	Moduli per pallet	36 pz	Cartone di imballaggio	Carta ondulata	10,78 kg
Altezza singola pila	1.250 mm	Moduli per camion (40 piedi)	720 pz	Pallet	Compensato	34,66 kg
Altezza doppia pila	2.500 mm	Pallet per camion (40 piedi)	20 pz	Cinturino in plastica	PET	1,31 kg
Peso della pila singola (pallet + moduli)	1.210 kg	Direzione del modulosu pallet	in posizione verticale lato lungo	Involucro di plastica	PEL5D98	1,39 kg
Peso della doppia pila (pallet + moduli)	2.420 kg					

Vista laterale pallet (doppia pila)



Stoccaggio e trasporto

Massimo impilabile per lo stoccaggio	2 pallets
Massimo accatastamento per il trasporto	2 pallets

Scheda dati di spedizione

SHIPMENT DATA SHEET					
Pallet:		X123456Y789			
PACKING DATE :		202x-xx-xx			
MODEL NO :		NB-JD5455 1)			
No.	Serial No.	Pmax(W)	No.	Serial No.	Pmax(W)
18	X123456Y78912	545,00	36	X123456Y78912	545,00
17	X123456Y78912	545,00	35	X123456Y78912	545,00
16	X123456Y78912	545,00	34	X123456Y78912	545,00
15	X123456Y78912	545,00	33	X123456Y78912	545,00
14	X123456Y78912	545,00	32	X123456Y78912	545,00
13	X123456Y78912	545,00	31	X123456Y78912	545,00
12	X123456Y78912	545,00	30	X123456Y78912	545,00
11	X123456Y78912	545,00	29	X123456Y78912	545,00
10	X123456Y78912	545,00	28	X123456Y78912	545,00
9	X123456Y78912	545,00	27	X123456Y78912	545,00
8	X123456Y78912	545,00	26	X123456Y78912	545,00
7	X123456Y78912	545,00	25	X123456Y78912	545,00
6	X123456Y78912	545,00	24	X123456Y78912	545,00
5	X123456Y78912	545,00	23	X123456Y78912	545,00
4	X123456Y78912	545,00	22	X123456Y78912	545,00
3	X123456Y78912	545,00	21	X123456Y78912	545,00
2	X123456Y78912	545,00	20	X123456Y78912	545,00
1	X123456Y78912	545,00	19	X123456Y78912	545,00

Informazioni sull'etichetta

SHARP PHOTOVOLTAIC MODULE MODEL : NB-JD550 SHARP CORPORATION 1 Takumi-cho, Sakai-ku, Sakai-shi, Osaka 590-8522, Japan MADE IN CHINA	Pmax(+5%/-0%) 550W Vmp 42.44V Voc(+10%/-10%) 50.63V Imp 12.96A Isc(+10%/-10%) 13.83A NOTE: IRRADIANCE OF 1000W/m ² , AM1.5 SPEC IDENTIFICATION CODE : SERIAL NUMBER :
--------------------------------------------------------------------------------------------------------------------------------------------------------------	-------------------------------------------------------------------------------------------------------------------------------------------------------------------------------------------------------

SHARP PHOTOVOLTAIC MODULE MODEL : NB-JD550 SHARP CORPORATION 1 Takumi-cho, Sakai-ku, Sakai-shi, Osaka 590-8522, Japan MADE IN CHINA	Pmax(+5%/-5%) 550W Vmp 42.44V Voc(+10%/-10%) 50.63V Imp 12.96A Isc(+10%/-10%) 13.83A NOTE: IRRADIANCE OF 1000W/m ² , AM1.5 SPEC TEMPERATURE OF 25°C IDENTIFICATION CODE : SERIAL NUMBER :	MAXIMUM SYSTEM VOLTAGE 1500V OVER-CURRENT PROTECTION 30A TYPICAL WEIGHT 32.5kg EU SHARP ELECTRONICS GmbH Hagenberg 33-35, 20037 Hamburg, Germany www.sharp.eu UK SHARP ELECTRONICS (EUROPE) Limited 4 Furzound Way, Stockley Park, Uxbridge Middlesex, UB11 1TZ, United Kingdom
--------------------------------------------------------------------------------------------------------------------------------------------------------------	------------------------------------------------------------------------------------------------------------------------------------------------------------------------------------------------------------------------------	---------------------------------------------------------------------------------------------------------------------------------------------------------------------------------------------------------------------------------------------------------------------------------------------------------

MAXIMUM SYSTEM VOLTAGE 1500V OVER-CURRENT PROTECTION 30A TYPICAL WEIGHT 32.5kg TEMPERATURE OF 25°C	EU SHARP ELECTRONICS GmbH Hagenberg 33-35, 20037 Hamburg, Germany www.sharp.eu UK SHARP ELECTRONICS (EUROPE) Limited 4 Furzound Way, Stockley Park, Uxbridge Middlesex, UB11 1TZ, United Kingdom
-------------------------------------------------------------------------------------------------------------	-----------------------------------------------------------------------------------------------------------------------------------------------------------------------------------------------------------------

- Il modulo n. 1 si trova in un orientamento opposto agli altri moduli sul pallet.
- La documentazione del pallet mostra:
 - Modello numero:
 - Numero di serie e codice a barre del pallet
 - Data di imballaggio
 - Numero di serie del modulo e codice a barre
 - Potenza elettrica Pmax (W)
- Il codice EAN non è disponibile

1) S = Sharp Energy Solutions standard con cavo solare corto (uguale a NB-JD545)

Informações de paletes e embalagens de módulos FV SHARP

Aplicável aos seguintes 144 tipos de módulos de célula: **NB-JDxxx ≥ 545W**

Tamanho da Paleta		Informação de entrega		Nome da embalagem	Material	Peso
Comprimento Largura	2.311 mm 1.125 mm	Módulos por paleta	36 unidades	Caixa de embalagem	Papel ondulado	10,78 kg
Pilha única de altura	1.250 mm	Módulos por caminhão (40 pés)	720 unidades	Paleta	Madeira compensada	34,66 kg
Pilha dupla de altura	2.500 mm	Paletes por caminhão (40 pés)	20 unidades	Alça de Plástico	PET	1,31 kg
Peso de pilha única (paleta + módulos)	1.210 kg	Direção do módulo na paleta	em pé/lado longo	Envoltório plástico	PEL5D98	1,39 kg
Peso da pilha dupla (paletes + módulos)	2.420 kg					

Vista lateral da paleta (pilha dupla)	Armazenamento e transporte	
	Máx. Empilhamento para armazenamento	2 paletes
	Máx. Empilhamento para transporte	2 paletes

Folha de Dados de Remessa

SHIPMENT DATA SHEET					
Pallet:		X123456Y789			
PACKING DATE		: 202x-xx-xx			
MODEL NO		: NB-JD5455 1)			
No.	Serial No.	Pmax(W)	No.	Serial No.	Pmax(W)
18	X123456Y78912	545,00	36	X123456Y78912	545,00
17	X123456Y78912	545,00	35	X123456Y78912	545,00
16	X123456Y78912	545,00	34	X123456Y78912	545,00
15	X123456Y78912	545,00	33	X123456Y78912	545,00
14	X123456Y78912	545,00	32	X123456Y78912	545,00
13	X123456Y78912	545,00	31	X123456Y78912	545,00
12	X123456Y78912	545,00	30	X123456Y78912	545,00
11	X123456Y78912	545,00	29	X123456Y78912	545,00
10	X123456Y78912	545,00	28	X123456Y78912	545,00
9	X123456Y78912	545,00	27	X123456Y78912	545,00
8	X123456Y78912	545,00	26	X123456Y78912	545,00
7	X123456Y78912	545,00	25	X123456Y78912	545,00
6	X123456Y78912	545,00	24	X123456Y78912	545,00
5	X123456Y78912	545,00	23	X123456Y78912	545,00
4	X123456Y78912	545,00	22	X123456Y78912	545,00
3	X123456Y78912	545,00	21	X123456Y78912	545,00
2	X123456Y78912	545,00	20	X123456Y78912	545,00
1	X123456Y78912	545,00	19	X123456Y78912	545,00

Informação do rótulo

SHARP PHOTOVOLTAIC MODULE MODEL : NB-JD550 SHARP CORPORATION 1 Takumi-cho, Sakai-ku, Sakai-shi, Osaka 590-8522, Japan MADE IN CHINA	Pmax(+5%/-0%) 550W Vmpp 42.44V Voc(+10%/-10%) 50.63V Impp 12.96A Isc(+10%/-10%) 13.83A
	NOTE: IRRADIANCE OF 1000W/m ² , AM1.5 SPEC IDENTIFICATION CODE : SERIAL NUMBER :

SHARP PHOTOVOLTAIC MODULE MODEL : NB-JD550 SHARP CORPORATION 1 Takumi-cho, Sakai-ku, Sakai-shi, Osaka 590-8522, Japan MADE IN CHINA	Pmax(+5%/-0%) 550W Vmpp 42.44V MAXIMUM SYSTEM VOLTAGE 1500V Voc(+10%/-10%) 50.63V Impp 12.96A OVER-CURRENT PROTECTION 30A Isc(+10%/-10%) 13.83A TYPICAL WEIGHT 32.5kg NOTE: IRRADIANCE OF 1000W/m ² , AM1.5 SPECTRUM AND CELL TEMPERATURE OF 25°C IDENTIFICATION CODE : SERIAL NUMBER :	CE UK SHARP ELECTRONICS GERMANY Hagenweg 33-35, 20037 Hamburg, Germany SHARP ELECTRONICS EUROPE LTD 4 Furzenground Way, Stockley Park, Uxbridge Middlesex, UB11 1TZ, United Kingdom
--------------------------------------------------------------------------------------------------------------------------------------------------------------	-------------------------------------------------------------------------------------------------------------------------------------------------------------------------------------------------------------------------------------------------------------------------------------------------------------------	-------------------------------------------------------------------------------------------------------------------------------------------------------------------------------------------------------

MAXIMUM SYSTEM VOLTAGE 1500V OVER-CURRENT PROTECTION 30A TYPICAL WEIGHT 32.5kg TRUM AND CELL TEMPERATURE OF 25°C	SHARP ELECTRONICS GERMANY Hagenweg 33-35, 20037 Hamburg, Germany SHARP ELECTRONICS EUROPE Limited 4 Furzenground Way, Stockley Park, Uxbridge Middlesex, UB11 1TZ, United Kingdom
---------------------------------------------------------------------------------------------------------------------------	-----------------------------------------------------------------------------------------------------------------------------------------------------------------------------------------------

- O módulo nº 1 fica em uma orientação oposta aos outros módulos do paleta.
- A documentação da paleta mostra:
 - No. do modelo
 - Número de série da paleta e código de barras
 - Data de embalagem
 - Número de série do módulo e código de barras
 - Potência elétrica Pmax (W)
 - Código EAN não disponível

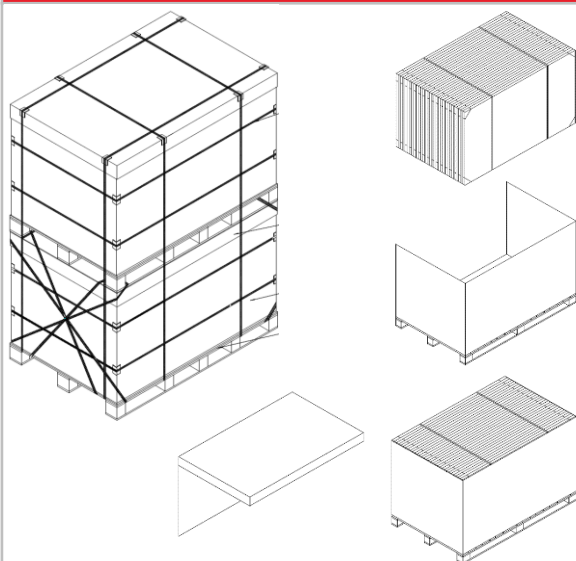
1) S = Sharp Energy Solutions padrão com cabo solar curto (igual a NB-JD545)

Informace o paletách a obalech moduly SHARP PV

Použitelné pro následujících 144 buňkových modulových typů: **NB-JDxxx ≥ 545W**

Velikost palety		Informace o doručení		Název balení	Materiál	Hmotnost
Length Width	2.311 mm 1.125 mm	Moduly na paletě	36 ks	Balící karton	Vlnitý papír	10,78 kg
Výška jednoho stohu	1.250 mm	Moduly na nákladní auto (40 stop)	720 ks	Paleta	Překližka	34,66 kg
Výška dvojitý stoh	2.500 mm	Palety na kamion (40 stop)	20 ks	Plastový pásek	PET	1,31 kg
Hmotnost jednoho stohu (paleta + moduly)	1.210 kg	Směr moduluna paletě	vzpřímeně nadlouhá strana	Plastový obal	PEL5D98	1,39 kg
Dvojitá hmotnost stohu (palety + moduly)	2.420 kg					

Boční pohled na paletu (dvojitý zásobník) Skladování a doprava



Max. Stohování pro skladování 2 palety
 Max. Stohování pro přepravu 2 palety

List s údaji o zásilce

SHIPMENT DATA SHEET					
Pallet: X123456Y789					
PACKING DATE :		202x-xx-xx			
MODEL NO :		NB-JD5455 1)			
No.	Serial No.	Pmax(W)	No.	Serial No.	Pmax(W)
18	X123456Y78912	545,00	36	X123456Y78912	545,00
17	X123456Y78912	545,00	35	X123456Y78912	545,00
16	X123456Y78912	545,00	34	X123456Y78912	545,00
15	X123456Y78912	545,00	33	X123456Y78912	545,00
14	X123456Y78912	545,00	32	X123456Y78912	545,00
13	X123456Y78912	545,00	31	X123456Y78912	545,00
12	X123456Y78912	545,00	30	X123456Y78912	545,00
11	X123456Y78912	545,00	29	X123456Y78912	545,00
10	X123456Y78912	545,00	28	X123456Y78912	545,00
9	X123456Y78912	545,00	27	X123456Y78912	545,00
8	X123456Y78912	545,00	26	X123456Y78912	545,00
7	X123456Y78912	545,00	25	X123456Y78912	545,00
6	X123456Y78912	545,00	24	X123456Y78912	545,00
5	X123456Y78912	545,00	23	X123456Y78912	545,00
4	X123456Y78912	545,00	22	X123456Y78912	545,00
3	X123456Y78912	545,00	21	X123456Y78912	545,00
2	X123456Y78912	545,00	20	X123456Y78912	545,00
1	X123456Y78912	545,00	19	X123456Y78912	545,00

Informace na štítku

SHARP PHOTOVOLTAIC MODULE MODEL : NB-JD550 SHARP CORPORATION 1 Takumi-cho, Sakai-ku, Sakai-shi, Osaka 590-8522, Japan MADE IN CHINA	Pmax(+5%/-0%)	550W	Vmpp	42.44V
	Voc(+10%/-10%)	50.63V	Imp	12.96A
	Isc(+10%/-10%)	13.83A	NOTE: IRRADIANCE OF 1000W/m ² , AM1.5 SPEC	
IDENTIFICATION CODE : SERIAL NUMBER :				

SHARP PHOTOVOLTAIC MODULE MODEL : NB-JD550 SHARP CORPORATION 1 Takumi-cho, Sakai-ku, Sakai-shi, Osaka 590-8522, Japan MADE IN CHINA	Pmax(+5%/-0%)	550W	Vmpp	42.44V	MAXIMUM SYSTEM VOLTAGE	1500V
	Voc(+10%/-10%)	50.63V	Imp	12.96A	OVER-CURRENT PROTECTION	30A
	Isc(+10%/-10%)	13.83A	NOTE: IRRADIANCE OF 1000W/m ² , AM1.5 SPEC		TYPICAL WEIGHT	32.5kg
IDENTIFICATION CODE : SERIAL NUMBER :					TRIM AND CELL TEMPERATURE OF 25°C	

MAXIMUM SYSTEM VOLTAGE	1500V	
OVER-CURRENT PROTECTION	30A	
TYPICAL WEIGHT	32.5kg	EU SHARP ELECTRONICS GmbH Hagenberg 33-35, 20097 Hamburg, Germany www.sharp.eu
TRIM AND CELL TEMPERATURE OF 25°C		UK SHARP ELECTRONICS (EUROPE) Limited 4 Furzenground Way, Stockley Park, Uxbridge Middlesex, UB11 1LZ, United Kingdom

- Modul č. 1 stojí v opačné orientaci než ostatní moduly na paletě.
- Dokumentace palet ukazuje:
 - Model číslo.
 - Sériové číslo palety a čárový kód
 - Datum balení
 - Sériové číslo modulu a čárový kód
 - Elektrický výkon Pmax (W)
- EAN kód není k dispozici

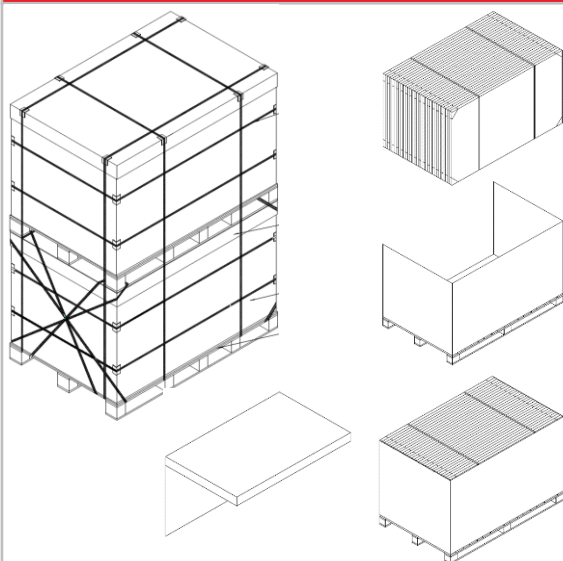
1) S = Sharp Energy Solutions standardně s krátkým solárním kabelem (stejně jako NB-JD545)

Informacija apie padėklus ir pakuotę su SHARP FV moduliais

Taikytina nurodytiems 144 celių modulių tipams: **NB-JDxxx ≥ 545W**

Padėklo dydis		Pristatymo informacija		Pakuotės pavadinimas	Medžiaga	Svoris
Iglis Plotis	2.311 mm 1.125 mm	Moduliai vienam padėklui	36 vnt	Pakavimo dėžutė	Gofruotas popierius	10,78 kg
Vieno krūvos aukštis	1.250 mm	Moduliai vienam sunkvežimiui (40 pėdų)	720 vnt	Padėklas	Fanera	34,66 kg
Aukštis dvigubas krūvas	2.500 mm	Padėklai vienam sunkvežimiui (40 pėdų)	20 vnt	Plastikinis dirželis	PET	1,31 kg
Vieno krūvos svoris (padėklas + moduliai)	1.210 kg	Modulio kryptisant padėklo	stačialgiųj pusė	Plastiko pakuotė	PEL5D98	1,39 kg
Dvigubas krūvos svoris (padėklai + moduliai)	2.420 kg					

Padėklo vaizdas iš šono (dvi rietuvės) Sandėliavimas ir transportavimas



Maks. Sukrovimas sandėliavimui	2 padėklai
Maks. Krovimas transportavimui	2 padėklai

Siuntimo duomenų lapas

SHIPMENT DATA SHEET					
Pallet: X123456Y789					
PACKING DATE :		202x-xx-xx			
MODEL NO :		NB-JD5455 1)			
No.	Serial No.	Pmax(W)	No.	Serial No.	Pmax(W)
18	X123456Y78912	545,00	36	X123456Y78912	545,00
17	X123456Y78912	545,00	35	X123456Y78912	545,00
16	X123456Y78912	545,00	34	X123456Y78912	545,00
15	X123456Y78912	545,00	33	X123456Y78912	545,00
14	X123456Y78912	545,00	32	X123456Y78912	545,00
13	X123456Y78912	545,00	31	X123456Y78912	545,00
12	X123456Y78912	545,00	30	X123456Y78912	545,00
11	X123456Y78912	545,00	29	X123456Y78912	545,00
10	X123456Y78912	545,00	28	X123456Y78912	545,00
9	X123456Y78912	545,00	27	X123456Y78912	545,00
8	X123456Y78912	545,00	26	X123456Y78912	545,00
7	X123456Y78912	545,00	25	X123456Y78912	545,00
6	X123456Y78912	545,00	24	X123456Y78912	545,00
5	X123456Y78912	545,00	23	X123456Y78912	545,00
4	X123456Y78912	545,00	22	X123456Y78912	545,00
3	X123456Y78912	545,00	21	X123456Y78912	545,00
2	X123456Y78912	545,00	20	X123456Y78912	545,00
1	X123456Y78912	545,00	19	X123456Y78912	545,00

Etiketės informacija

SHARP PHOTOVOLTAIC MODULE MODEL : NB-JD550 SHARP CORPORATION 1 Takumi-cho, Sakai-ku, Sakai-shi, Osaka 590-8522, Japan MADE IN CHINA	Pmax(+5%/ -0%)	550W	Vmpp	42.44V
	Voc(+10%/ -10%)	50.63V	Imp	12.96A
	Isc(+10%/ -10%)	13.83A		
NOTE: IRRADIANCE OF 1000W/m ² , AM1.5 SPEC				
IDENTIFICATION CODE :				
SERIAL NUMBER :				

SHARP PHOTOVOLTAIC MODULE MODEL : NB-JD550 SHARP CORPORATION 1 Takumi-cho, Sakai-ku, Sakai-shi, Osaka 590-8522, Japan MADE IN CHINA	Pmax(+5%/ -5%)	550W	Vmpp	42.44V	MAXIMUM SYSTEM VOLTAGE	1500V
	Voc(+10%/ -10%)	50.63V	Imp	12.96A	OVER-CURRENT PROTECTION	30A
	Isc(+10%/ -10%)	13.83A			TYPICAL WEIGHT	32.5kg
NOTE: IRRADIANCE OF 1000W/m ² , AM1.5 SPEC, RUM AND CELL TEMPERATURE OF 25°C						
IDENTIFICATION CODE :						
SERIAL NUMBER :						

MAXIMUM SYSTEM VOLTAGE	1500V		SHARP ELECTRONICS GmbH Hagenberg 33-35, 20097 Hamburg, Germany www.sharp.eu
OVER-CURRENT PROTECTION	30A		
TYPICAL WEIGHT	32.5kg	EU	SHARP ELECTRONICS (EUROPE) Limited 4 Furzenground Way, Stockley Park, Uxbridge Middlesex, UB11 1LZ, United Kingdom
TRUM AND CELL TEMPERATURE OF 25°C		UK	

- 1 modulis yra priešingoje padėtyje nei kiti moduliai ant padėklo.
- Padėklo dokumentacija rodo:
 - Modelio Nr.
 - Padėklo serijos numeris ir brūkšninis kodas
 - Pakavimo data
 - Modulio serijos numeris ir brūkšninis kodas
 - Pmax elektros galia (W)
- EAN kodas nepasiekiamas

¹⁾ S = Sharp Energy Solutions standartas su trumpu saulės kabeliu (tas pats kaip NB-JD545)

Informații despre palet și ambalaje Modulele Fotovoltaice SHARP

Aplicabil următoarelor 144 de tipuri de celule din modul: **NB-JDxxx ≥ 545W**

Dimensiunea paletului		Informații de livrare		Numele ambalajului	Material	Greutate
Lungime Lățime	2.311 mm 1.125 mm	Module per palet	36 bucăți	Cutie de ambalare	Hârtie ondulată	10,78 kg
Înălțime un singur stivă	1.250 mm	Module per camion (40 de picioare)	720 bucăți	Palet	Placaj	34,66 kg
Înălțime dublă stivă	2.500 mm	Paleți per camion (40 de picioare)	20 bucăți	Curea din plastic	PET	1,31 kg
Greutate unică (palet + module)	1.210 kg	Direcția modulului pe palet	drept pelatura lungă	Folie de plastic	PEL5D98	1,39 kg
Greutate dublă a stivei (paleți + module)	2.420 kg					

Vedere laterală palet (stiva dublă)		Depozitare și transport	
		Max. Stivuire pentru depozitare	2 palet
		Max. Stivuire pentru transport	2 palet


Fișa de date de expediere

SHIPMENT DATA SHEET					
Pallet: X123456Y789					
PACKING DATE		: 202x-xx-xx			
MODEL NO		: NB-JD5455 1)			
No.	Serial No.	Pmax(W)	No.	Serial No.	Pmax(W)
18	X123456Y78912	545,00	36	X123456Y78912	545,00
17	X123456Y78912	545,00	35	X123456Y78912	545,00
16	X123456Y78912	545,00	34	X123456Y78912	545,00
15	X123456Y78912	545,00	33	X123456Y78912	545,00
14	X123456Y78912	545,00	32	X123456Y78912	545,00
13	X123456Y78912	545,00	31	X123456Y78912	545,00
12	X123456Y78912	545,00	30	X123456Y78912	545,00
11	X123456Y78912	545,00	29	X123456Y78912	545,00
10	X123456Y78912	545,00	28	X123456Y78912	545,00
9	X123456Y78912	545,00	27	X123456Y78912	545,00
8	X123456Y78912	545,00	26	X123456Y78912	545,00
7	X123456Y78912	545,00	25	X123456Y78912	545,00
6	X123456Y78912	545,00	24	X123456Y78912	545,00
5	X123456Y78912	545,00	23	X123456Y78912	545,00
4	X123456Y78912	545,00	22	X123456Y78912	545,00
3	X123456Y78912	545,00	21	X123456Y78912	545,00
2	X123456Y78912	545,00	20	X123456Y78912	545,00
1	X123456Y78912	545,00	19	X123456Y78912	545,00

Informații de etichetă

SHARP PHOTOVOLTAIC MODULE MODEL : NB-JD550 SHARP CORPORATION 1 Takumi-cho, Sakai-ku, Sakai-shi, Osaka 590-8522, Japan MADE IN CHINA	Pmax(+5%/-0%)	550W	Vmpp	42.44V
	Voc(+10%/-10%)	50.63V	Imp	12.96A
	Isc(+10%/-10%)	13.83A	NOTE: IRRADIANCE OF 1000W/m ² , AM1.5 SPEC	
IDENTIFICATION CODE : SERIAL NUMBER :				

SHARP PHOTOVOLTAIC MODULE MODEL : NB-JD550 SHARP CORPORATION 1 Takumi-cho, Sakai-ku, Sakai-shi, Osaka 590-8522, Japan MADE IN CHINA	Pmax(+5%/-0%)	550W	Vmpp	42.44V	MAXIMUM SYSTEM VOLTAGE	1500V
	Voc(+10%/-10%)	50.63V	Imp	12.96A	OVER-CURRENT PROTECTION	30A
	Isc(+10%/-10%)	13.83A	NOTE: IRRADIANCE OF 1000W/m ² , AM1.5 SPEC		TYPICAL WEIGHT	32.5kg
IDENTIFICATION CODE : SERIAL NUMBER :					TRIM AND CELL TEMPERATURE OF 25°C	

MAXIMUM SYSTEM VOLTAGE	1500V	
OVER-CURRENT PROTECTION	30A	
TYPICAL WEIGHT	32.5kg	EU SHARP ELECTRONICS GmbH Hagenberg 33-35, 20097 Hamburg, Germany www.sharp.eu
TRIM AND CELL TEMPERATURE OF 25°C		UK SHARP ELECTRONICS (EUROPE) Limited 4 Furzenground Way, Stockley Park, Uxbridge Middlesex, UB11 1LZ, United Kingdom

- Modulul nr. 1 se află într-o orientare opusă celorlalte module de pe palet.
- Documentația paletului arată:
 - Numarul modelului.
 - Numărul de serie al paletului și codul de bare
 - Data ambalării
 - Numărul de serie al modulului și codul de bare
 - Putere electrică Pmax (W)
 - Codul EAN nu este disponibil

1) S = Sharp Energy Solutions standard cu cablu solar scurt (la fel ca NB-JD545)