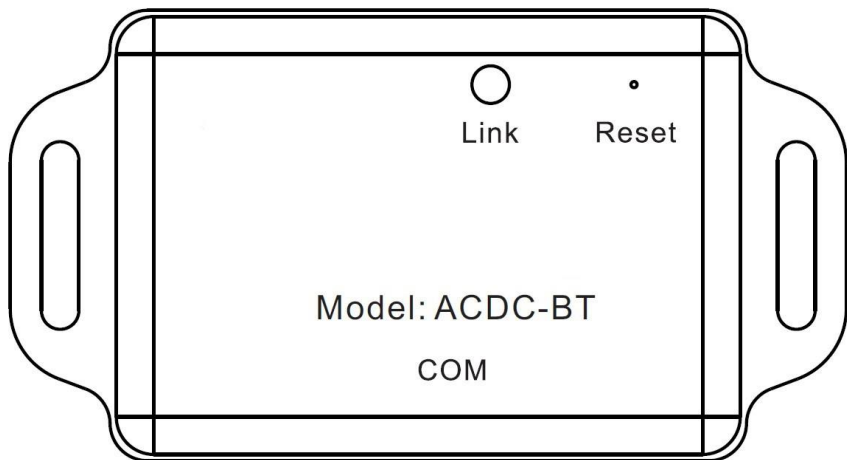


BLUETOOTH COMMUNICATION MODULE

Model: ACDC-BT

INSTRUCTION MANUAL



*----- Application: motorhomes, caravans, RVs, campervans, boats,
and other DC and solar systems -----*

Dear Customer,

Thank you very much for choosing our product. This manual contains important information about the installation and operations of the Bluetooth communication module. Please read this manual carefully before installing the product.

Note: working with electricity and batteries can be dangerous. Make sure that any work follows all appropriate safety standards and precautions.

Overview

This Bluetooth communication module can be used with the following chargers and controllers:

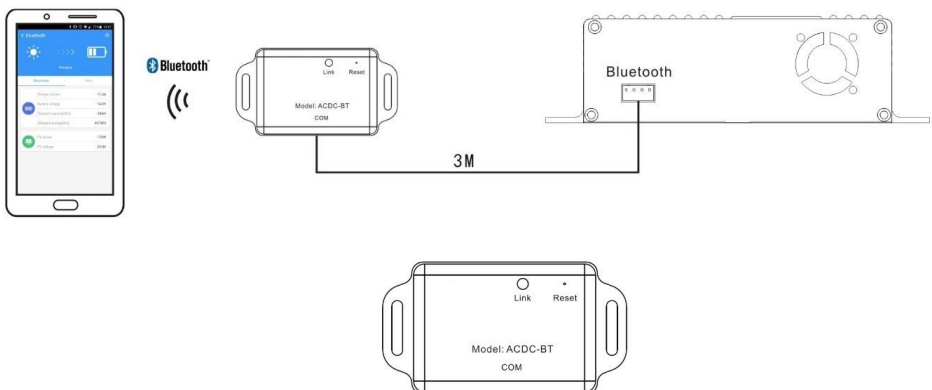
- Mains battery chargers BC1230PRO, BC1260PRO, BC2415PRO, BC4810PRO
- DC-to-DC battery chargers DCxxxx-xx, DCxxxx-xxS and DCxxxx-xxxx
- Dual battery MPPT solar charge controllers PMPPT series
- Any other products if the user manual of the product explicitly mentions compatibility with ACDC-BT Bluetooth module

The ACDC-BT Bluetooth communication module will transmit the working parameters of the charger to you phone via the “Charger Connect” phone app.

This module is supplied with 3m connection cable to plug into the charger or controller. The module unit can be mounted to a wall using the built-in mounting brackets.

Connection plan

- Plug the cable of the Bluetooth communication module into the Bluetooth interface on the charger.
- Attach the module in any position that you can access easily.
- **Note:** the module cannot be installed in a metal shield.
- Readings are most accurate within 10 meters of the module.



App instructions

Step 1: Scan the relevant QR code below on your mobile device



Android

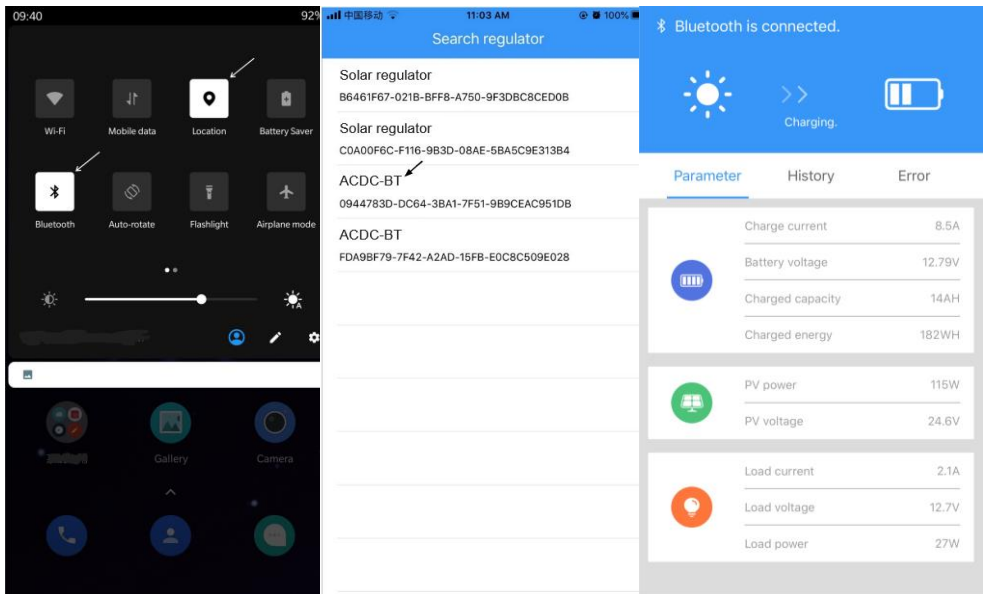


iOS

Step 2: Please ensure that your mobile phone “location” and “Bluetooth” functions are ON.

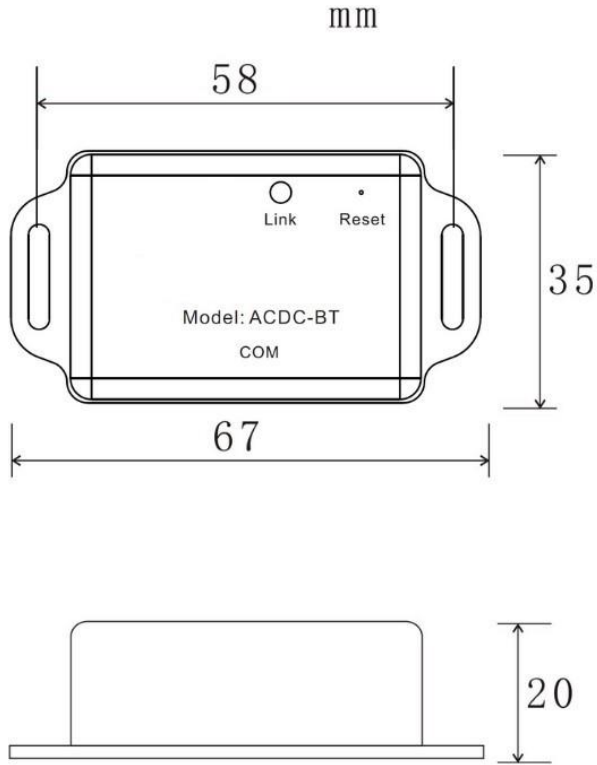
Step 3: Run the “Charger Connect” app and then select “ACDC-BT”.

Step 4: The working parameters of the device can be viewed here



Dimensions

(Note: all values are in mm)



Specifications

Model	ACDC-BT
Bluetooth version	Version 4.2
Input voltage	5V (controller supply)
Standby current	<10mA
Wiring length	3m
Communication distance	<10m
Interface Type	XH2.54-4P
Dimensions	67mm x 35mm x 20mm
App name	Charger Connect