



# GY485 GYROSCOPE

## USER MANUAL

### GY485



## Preface

Thanks for choosing our products and this manual is suitable for gyroscope GY485. This manual contains important safety and operation instructions. Read it before any operation/installation and keep it well for future reference.

Product installation and maintenance need to be conducted by a well trained technician or electrician. Please pay more attention to below items:

1. Please use correct voltage to power this product
2. Please insure DC positive and negative are connected correctly. No reversed polarity connection is allowed.
3. Please use power cable as short as possible for connection and ensure all connection is well
4. Only TBB engineer or authorized electrician can open the case.



**All products has been well inspected before delivery from manufacturer. If there is faulty for example housing swelling is found when open product box, please contact TBB or TBB's re-seller immediately. The environment condition will also has influence to product performance, please make sure product is used in proper e.nvironment condition**

**Remarks: As continuous update on product, this manual might not reflect latest version of product. Please contact TBB or TBB's re-seller if wants to learn most update on product**

## Content

1. General Safety Instruction .....	1
1.1 Safety instruction .....	1
1.2 General Precaution.....	1
2. Product introduction.....	2
2.1 General introduction .....	2
2.2 Features.....	2
2.3 Product outlook .....	2
3. Installation .....	4
3.1 Open box.....	4
3.2 Box List .....	4
3.2 Installation hole.....	5
3.3 Fix .....	5
4. Operation .....	6
4.1 Check item before operation .....	6
4.2 LED indicator .....	6
5. Specification.....	7

# 1. General Safety Instruction

## 1.1 Safety instruction

- Please read this manual and remark, sticker on product before installation or operation
- Please abide by required electrical safety procedure and requirement to prevent any damage or injury. Safety instruction in this manual is not equal to these safety procedure and requirement
- Manufacturer takes no responsibility for any consequence of break above safety procedure or requirement
- A warning mark as below represents potential risk or important information



Warning: The operation is critical to system running, please be careful before operation

## 1.2 General Precaution

- Do not expose product to dust, rain, snow or liquids of any type, it is designed for indoor use
- To avoid fire and electric shock, make sure all cables selected with right gauge and being connected well. Smaller diameter and broken cable are not allowed to use

## 2. Product introduction

### 2.1 General introduction

GY485 is a device for leveling measurement. With data acquired by gyroscope and sensor integrated into product, plus unique algorithm to provide user accurate angle or position information. The information is transferred to monitor via RS485 communication. GY485 is with reliable design to work in different conditions environment. Working voltage of GY485 is 9-16Vdc, with low idling power and compact size. Meanwhile it also has protection against over-current

### 2.2 Features

- The idling power is less than 30mA
- Rated working voltage: 9-16Vdc
- RS485 is compatible
- Calibration is available to fit real condition of vehicle

### 2.3 Product outlook



Fig.2-1 Outlook of GY485

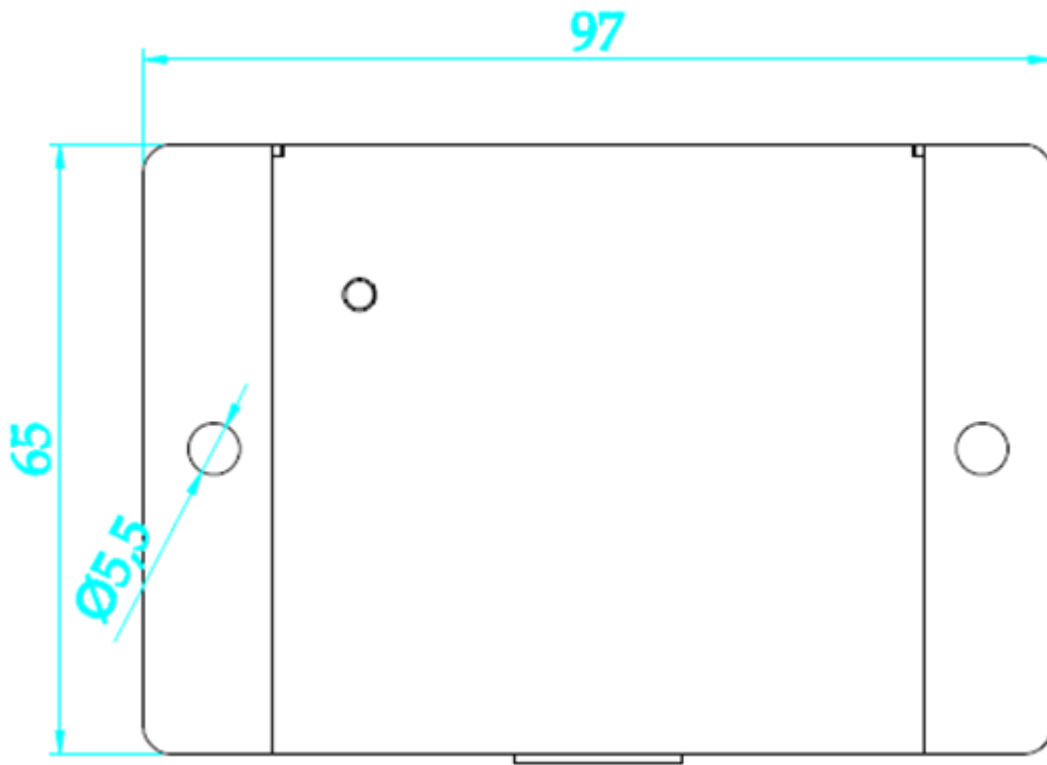



Fig.2-2 Produce dimension (Unit:mm)

### 3. Installation

#### 3.1 Open box

- Only open product box before installation, and please check if box is in good condition before you open it
- Take product out of box in a careful manner
- Check if everything in below Box List is in the box; contact TBB or TBB's re-seller if anything is missed or damaged
- Keep user manual properly for future reference

#### 3.2 Box List

Item	Spec.	Q'ty	Pic.
GY485	97 mm x 65 mm x 26.5 mm	1	
User manual	Paper	1	

### 3.2 Installation hole

Installation must be onto a flat surface, and drill holes as below dimension

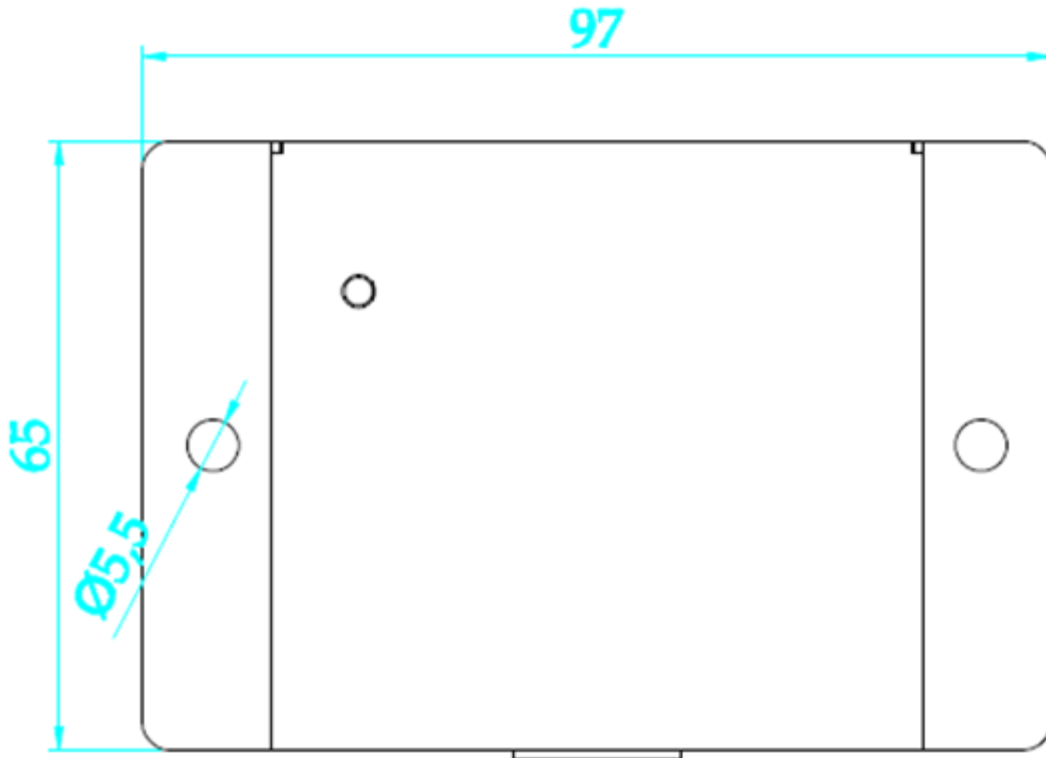


Fig.3-1 Hole dimension (Unit: mm)

### 3.3 Fix

Please use M5 screw to fix product properly







## 4. Operation

### 4.1 Check item before operation

- 1) Check if input voltage meets product request; or it will cause damage to product. Please contact TBB or TBB's re-seller if any question to voltage
- 2) Check if cables are connected correctly before product get power
- 3) Check if cables are fixed well. Please make sure no short circuit risk
- 4) Check if product is installed on a flat and solid surface
- 5) Get product powered if all above items is checked

### 4.2 LED indicator

 : Solid ON  
  : OFF  
  : Blinking

No.	LED	Color	Status
1	 RUN	Green	1) Normal working: Solid ON for 1 second and then start to blinking (0.5 seconds ON and 0.5 seconds OFF) 2) Standby mode: Blinking for 5 seconds and then go into OFF 3) Faulty: Solid ON 4) Power OFF: OFF

## 5. Specification

Model No	GY485
Rated voltage	9-16VDC
Communication	RS485
Rated current	≈11mA
Working temperature	-40°C~65°C
Certificate	EN61000-6-3                      EN50498:2010



## **TBB POWER CO.,LTD**

 [service@tbbpower.com](mailto:service@tbbpower.com)

 [www.tbbpower.com](http://www.tbbpower.com)

 +86-592-5212299

 +86-592-5796070