



# LCD MONITOR

## USER MANUAL

A7





## Content

1.General Safety Instruction.....	1
1.1 Safety instruction .....	1
1.2 General Precaution .....	1
2. Product introduction.....	2
2.1 General feature .....	2
2.2 Terminals/Ports introduction .....	2
2.3 Product outlook and dimension .....	3
2.3.1 Product outlook .....	3
2.3.2 Product dimension .....	4
2.4 Installation .....	5
2.5 Cautions.....	6

---

## 1. General Safety Instruction

### 1.1 Safety instruction

- Please read this manual and remark, sticker on product before installation or operation
- Please abide by required electrical safety procedure and requirement to prevent any damage or injury. Safety instruction in this manual is not equal to these safety procedure and requirement
- Manufacturer takes no responsibility for any consequence of break above safety procedure or requirement
- A warning mark as below represents potential risk or important information



Warning: The operation is critical to system running, please be careful before operation

### 1.2 General Precaution

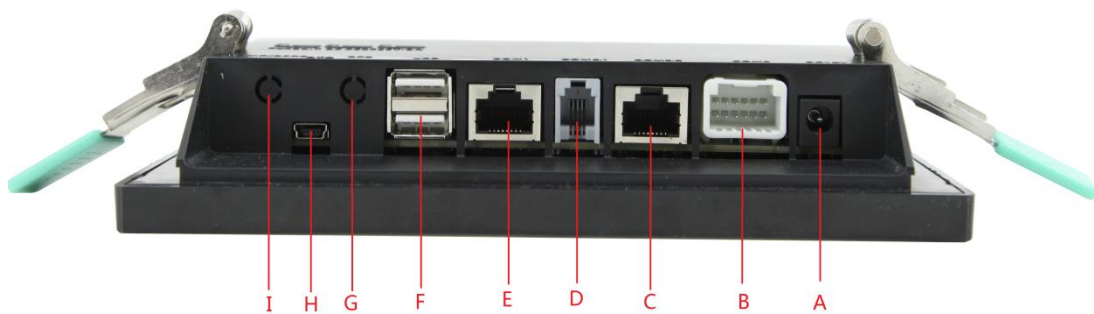
- Do not expose product to dust, rain, snow or liquids of any type, it is designed for indoor use
- To avoid fire and electric shock, make sure all cables selected with right gauge and being connected well. Smaller diameter and broken cable are not allowed to use

## 2. Product introduction

### 2.1 General feature

Monitor A7 is a touch screen powered by operation system Android 7.1. It's designed for TBB's system for mobile and industrial application. A7 is compatible with 1 CAN , 2 RS485, WIFI/GPRS, GPS and Bluetooth (Both Host and Device) connectivity. It also supports TF card for data storage.

### 2.2 Terminals/Ports introduction



Letter	Description	Remarks
A	DC12V	For DC12V Power
B	COM3	DC Power, RS485 and CAN
C	COM2.2	DC Power, RS485 and CAN
D	COM2.1	Reserved
E	COM1	DC Power and RS485
F	USB	For software upgrade
G	GPS	Reserved
H	OTG	0.5A DC power to device, max. Current 0.5A
I	WIFI/GPRS	Reserved

Fig. 2-2 Product terminals and ports

## 2.3 Product outlook and dimension

### 2.3.1 Product outlook



*Fig.2-3-1 Product Outlook*

### 2.3.2 Product dimension

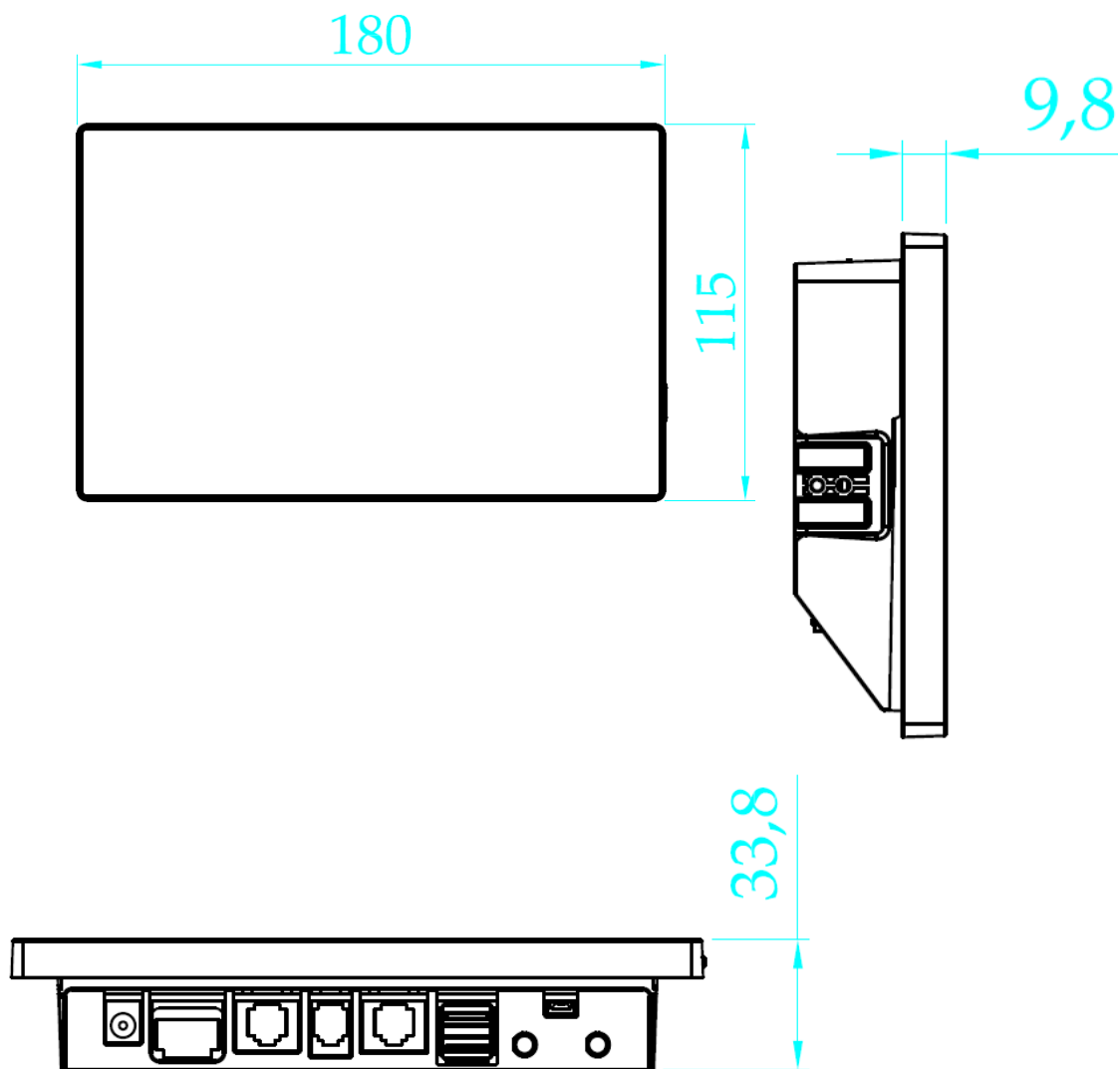


Fig. 2-3-2 Product dimension (Unit: mm)

## 2.4 Installation



Fig.2-4-1 An illustration of installation

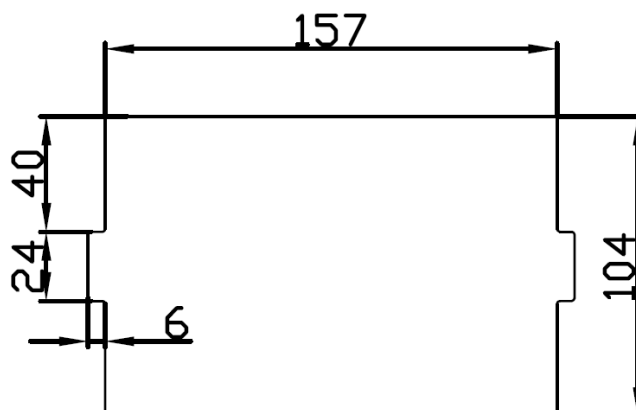


Fig.2-4-2 Opening dimension for installation (Unit: mm)

Tip for installation: When the opening is ready, insert A7 into opening from one side; and then fix it via fixture at the other side



## 2.5 Cautions


1. Please never use causticity liquid like alcohol, cola to clean or wash product; otherwise it will cause damage to PCB or other components
2. Please strictly follow instruction of Terminals / Ports, any incorrect connection will cause damage
3. Please don't scratch or hit screen with sharp objects






## **TBB POWER CO.,LTD**

 [service@tbbpower.com](mailto:service@tbbpower.com)

 [www.tbbpower.com](http://www.tbbpower.com)

 +86-592-5212299

 +86-592-5796070